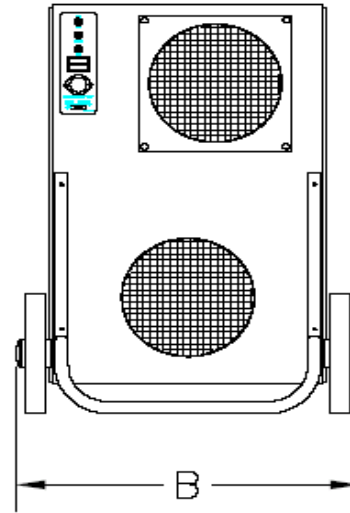
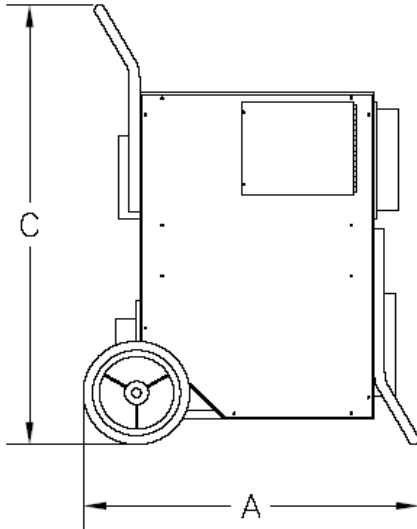




Application and Sales Office:
 29235 Lorie Ln. PO Box 1013
 Wixom, MI 48393-1013
 Phone 248-344-7236
 Fax 248-344-9401
 E-Mail: tbradley@cdims.com

MS-600-ARID-Dry Desiccant Dehumidifier

| <u>Model</u> | <u>CFM</u> | <u>Fuel Type</u> | <u>"A" Dim.</u> | <u>"B" Dim.</u> | <u>"C" Dim.</u> | <u>Weight</u> |
|--------------|------------|------------------|-----------------|-----------------|-----------------|---------------|
| MS-600 | 600 | Electric | 31 1/2" | 25 1/2" | 42 1/2" | 140 lbs |



| | Static Pressure External | Moisture Removal Lbs/Hr 80°/60% RH | Moisture Removal Pints/Day 80°/60% RH | Moisture Removal Lbs/Hr 55°/80% RH | Moisture Removal Pints/Day 55°/80% RH | Electric Reactivation FLA Load 220/1/60 | Electric Reactivation MCA Load 220/1/60 |
|-------------------|--------------------------|---------------------------------------|--|---------------------------------------|--|--|--|
| Air Volume | | | | | | | |
| 600 | | 7.84 | 180.7 | 6.35 | 146.5 | 23.5 | 30 |



- (2) Fixed Castors
- Remote Humidistat Connection
- 10" Round Connections
- 30% Pleated Efficiency Filters
- 304 Stainless Construction
- Power Cord Kits Available